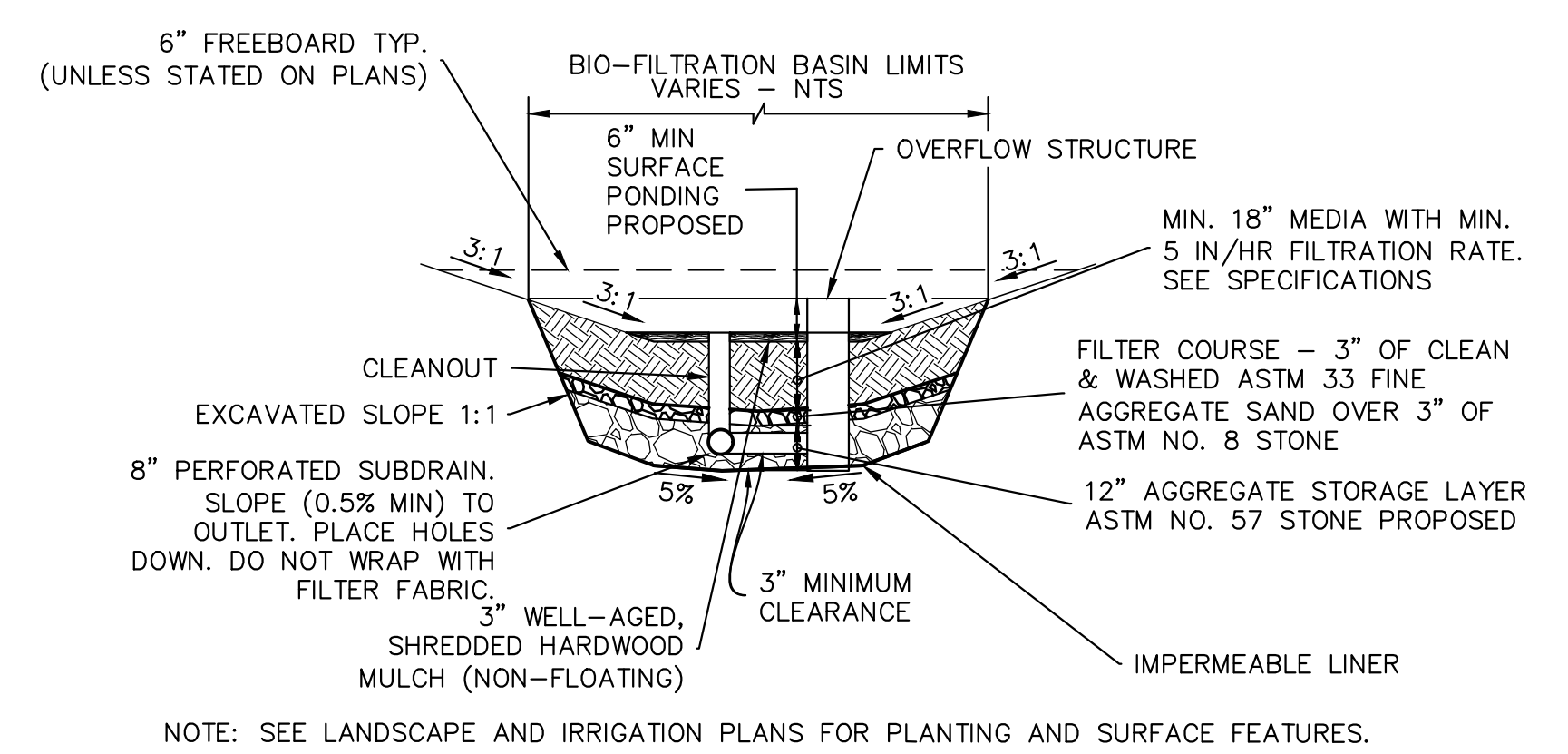
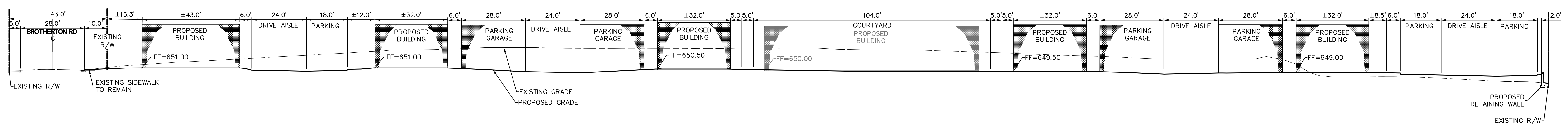


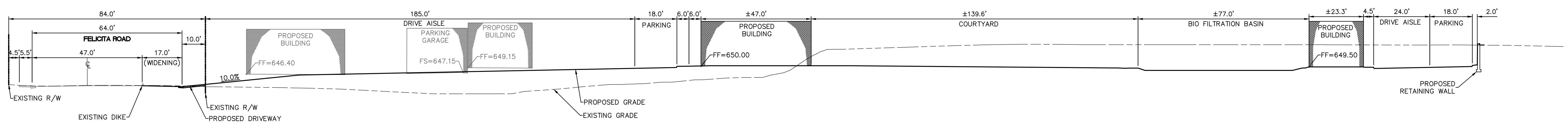
LEGEND

- PROPOSED BIOFILTRATION BMP..... [Symbol]
- PROPOSED STORM DRAIN..... [Symbol]
- PROPOSED SEWER..... [Symbol]
- PROPOSED DOMESTIC WATER..... [Symbol]
- PROPOSED FIRE HYDRANT..... [Symbol]
- RETAINING WALL..... [Symbol]
- PROPOSED PERVIOUS PAVEMENT..... [Symbol]
- DRAINAGE DIRECTION..... [Symbol]

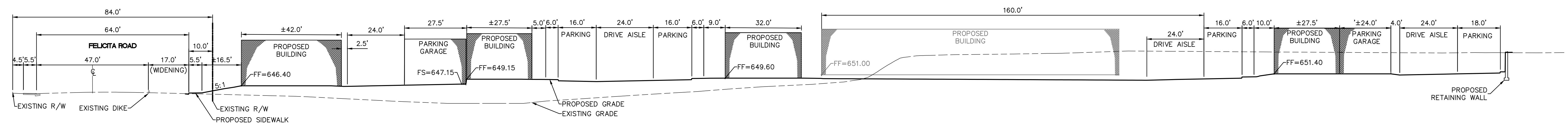




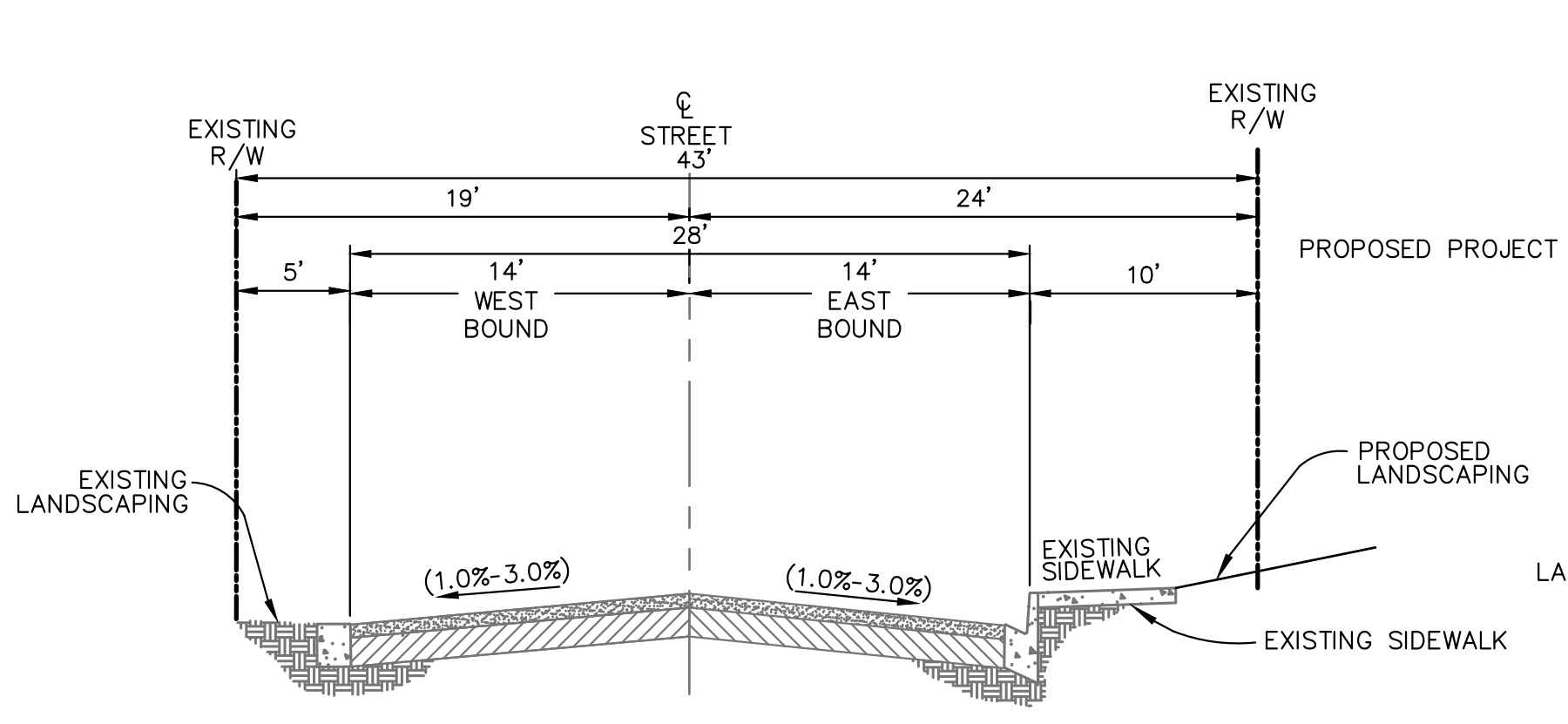
SECTION A-A:
NOT TO SCALE



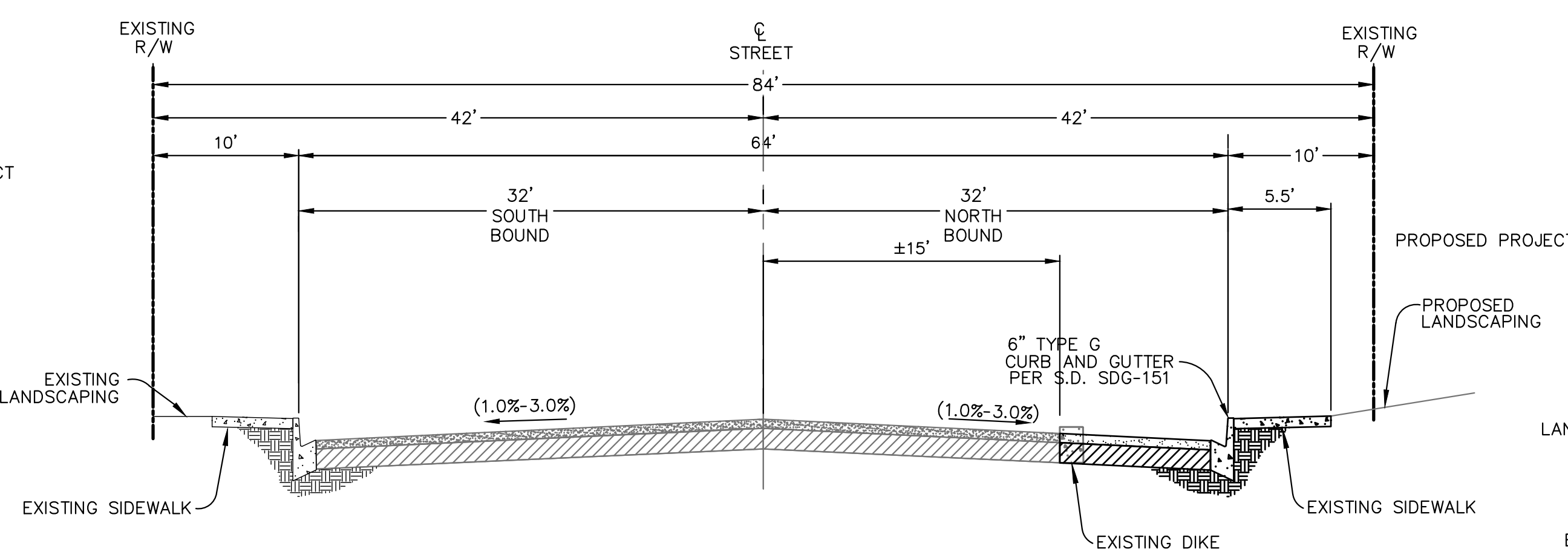
SECTION B-B:
NOT TO SCALE



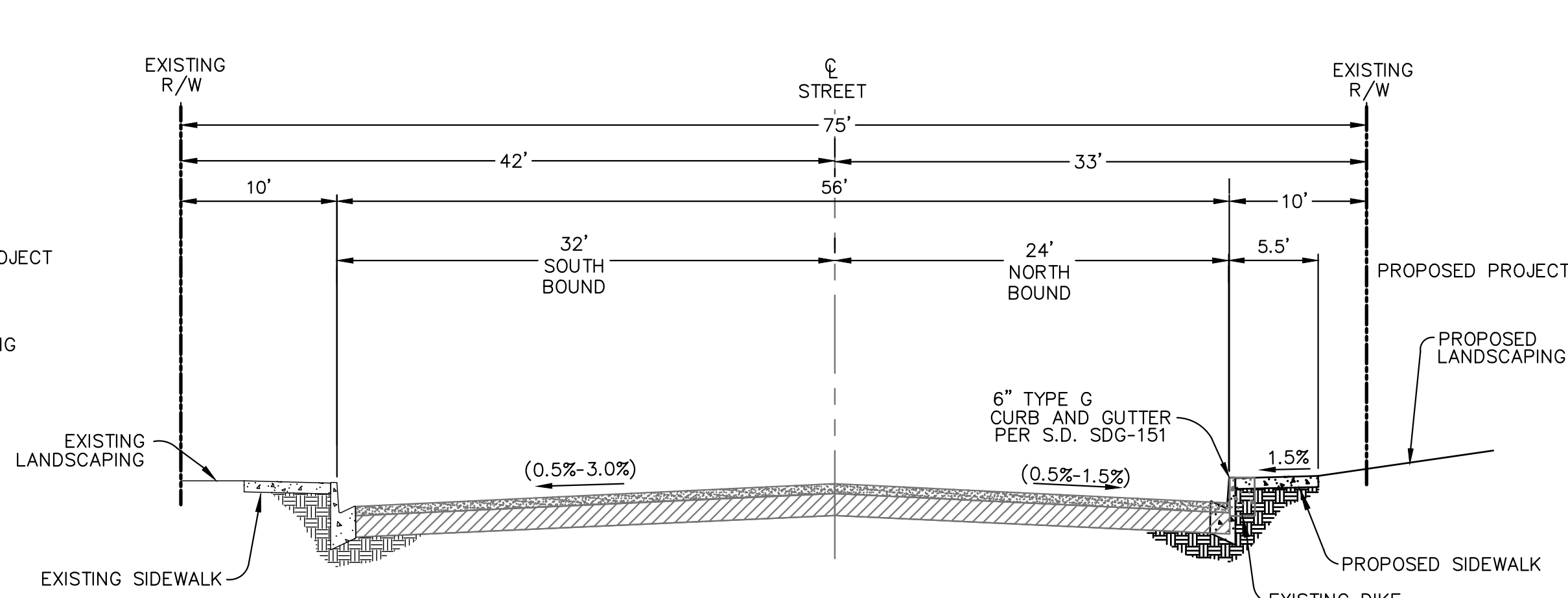
SECTION C-C:
NOT TO SCALE



BROTHERON ROAD
TYPICAL SECTION
NOT TO SCALE



FELICITA ROAD
TYPICAL SECTION (PROJECT FRONTAGE)
NOT TO SCALE



FELICITA ROAD
TYPICAL SECTION (OFFSITE FRONTAGE)
NOT TO SCALE